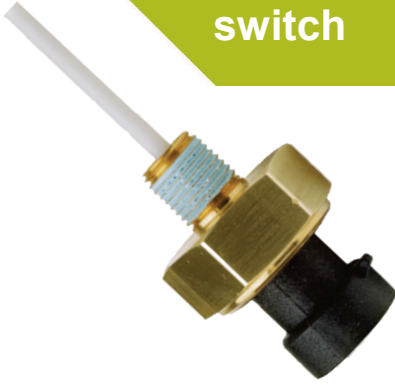


TECHNICAL DATA

S85 capacitance coolant level switch

FOZMULA
INNOVATION IN SENSORS



The **Model S85** is an active device which is designed to give an alarm signal if fluid falls below a preset level. It will only signal an alarm after a few seconds of low level to eliminate false alarms due to turbulence.

Containing a programmable microprocessor, the switch can offer one or two output pins which can sink to ground or supply a source voltage, or both. Its tiny footprint with limited intrusion into the tank means a reduced risk of damage and a wide range of options and customisations makes it suitable for most applications.

SPECIFICATION

Electrical Rating

Supply Voltage: 5 VDC or 7 - 35 VDC
Supply Current: 1.5mA + source output
Max. Load Current: 1.0A (sink) or 20mA (source)
Alarm Delay Time: 0 - 25 secs rising or falling (factory set)
Connection: 4 way Delphi Packard connector
Start up Delay: 1 - 5 secs

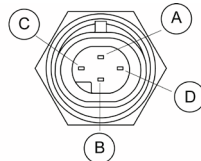
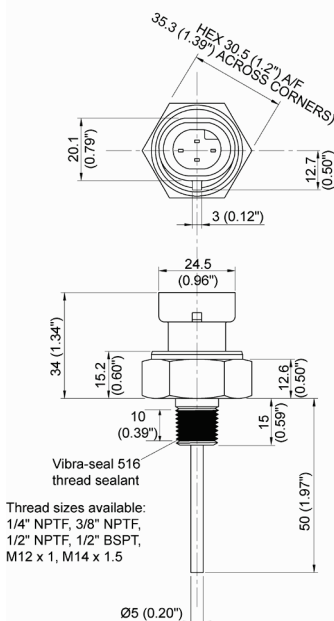
Fluid Types

Water based fluids compatible with Brass, PTFE and NBR rubber

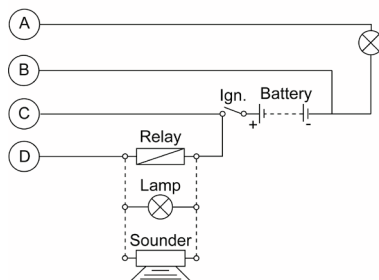
Environmental Ratings

Sealing: IP67
Max. pressure: 5.0 Bar (72 psi)
Temp. ranges: Fluid: -40°C to +130°C (-40°F to + 266°F)
 Storage: -40°C to +140°C (-40°F to + 266°F)
Weight: 53g (2 oz)
EMC: Tested to ISO 10605, ISO 11452-1 and ISO 11452-3

Note: Torque setting on installation should not exceed 22Nm. Unit should be tightened with a 31mm ring spanner or 31mm socket.



A: Output 2 Source 5V or V+
 B: GND Negative power supply or GND
 C: V+ Positive power supply
 D: Output 1 Transistor switched to GND (Sink)
 Body Not connected



Construction

Body: Brass
Probe: PTFE
Terminals: SAE CA210Brass, Tin Plated
Seals: NBR rubber
Connector: 30% Glass Filled Nylon 6
Thread sealant: Vibra-Seal 516



Connections

See diagram below

Note: Outputs are factory selectable and dual outputs on output 1 are available on request.

Vibration (15.3 grms)

3 orthoganol planes for 3 hours per plane

Frequency (Hz)	G2/Hz
24	0.4
60	0.5
100	0.5
240	0.1
2000	0.1

Testing performed in accordance with BSEN 60068-2-64:1993

Optional accessories:

Mating connector kit to suit harness wire cross sectional area of 0.8 to 1.0mm² and sleeve Ø1.60 to 2.15mm:

Our Part no C/K1
Description Connector kit comprising of:
 Crimp Terminals (x4)
 Cable seals (x4)
 Cavity plug (x1)
 Connector assembly 4 way (x1)
 TPA lock (x1)

From the Packard Metri-Pack 150 series of connectors.

Hermes Close | Tachbrook Park | Warwick | CV34 6UF | United Kingdom
 Tel: +44 (0)1926 466700 | Fax: +44 (0)1926 450473 | sales@fozmula.com

www.fozmula.com

E. & O. E. © Fozmula Limited. April 2012 Issue No. 2

Since the suitability of these products depends upon a wide range of factors not in our control, Fozmula Limited expects and understands that you will conduct the testing and evaluation necessary to determine that these products are suitable for your application. Whilst every effort is made to ensure the above details are correct at the time of printing, Fozmula Limited reserves the right to make material changes, and or technical changes without notification.