

TECHNICAL DATA

S98 capacitance coolant level switch

FOZMULA
INNOVATION IN SENSORS



The **Model S98** is an active device which is designed to give an alarm signal if fluid falls below a preset level. It will only signal an alarm after a few seconds of low level to eliminate false alarms due to turbulence.

The **S98** will output one of two distinct voltage levels (customer specified) dependent upon whether the probe detects a safe or alarm condition. For example, the output can be set to give 1V out in the safe condition and 4V out in the alarm condition of low coolant. In this way, any voltage level other than 1V or 4V can be assigned an error code.

SPECIFICATION

Electrical Rating

Supply Voltage: 5 VDC or 7 - 35 VDC
Supply Current: 1.5mA + source output
Max. Load Current: 10mA 0-5v output (source)
Alarm Delay Time: 0 - 25 secs rising or falling (factory set)
Connection: 4 way Delphi Packard connector
Start up Delay: 1 - 5 secs

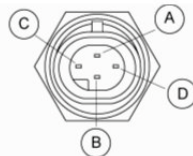
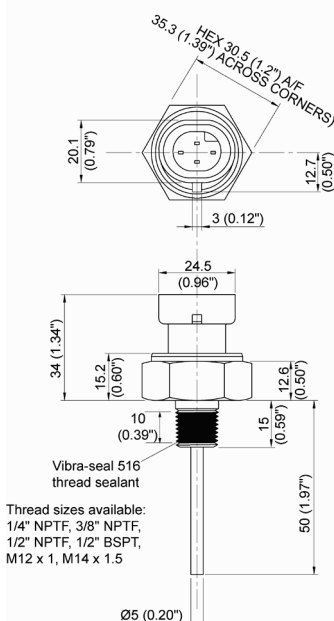
Fluid Types

Water based fluids compatible with Brass, PTFE and NBR rubber

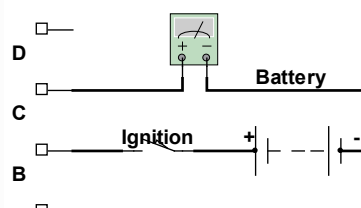
Environmental Ratings

Sealing: IP67
Max. pressure: 5.0 Bar (72 psi)
Temp. ranges: Fluid: -40°C to +130°C (-40°F to + 266°F)
 Storage: -40°C to +140°C (-40°F to + 266°F)
Weight: 53g (2 oz)

Note: Torque setting on installation should not exceed 22Nm. Unit should be tightened with a 31mm ring spanner or 31mm socket.



- A NOT TO BE CONNECTED
 - B GND Negative power supply or GND
 - C V+ Positive power supply
 - D Output voltage signal
- Body not connected



Construction

Body: Brass
Probe: PTFE
Terminals: SAE CA210Brass, Tin Plated
Seals: NBR rubber
Connector: 30% Glass Filled Nylon 6
Thread sealant: Vibra-Seal 516

Connections

See diagram below

Note: Output is factory programmable between 0-5V ±0.1V

Vibration (15.3 grms)

3 orthogonal planes for 3 hours per plane

Frequency (Hz)	G2/Hz
24	0.4
60	0.5
100	0.5
240	0.1
2000	0.1

Testing performed in accordance with BSEN 60068-2-64:1993

Optional accessories:

Mating connector kit to suit harness wire cross sectional area of 0.8 to 1.0mm² and sleeve Ø1.60 to 2.15mm:

Our Part no	Description
C/K1	Connector kit comprising of: Crimp Terminals (x4) Cable seals (x4) Cavity plug (x1) Connector assembly 4 way (x1) TPA lock (x1)

From the Packard Metri-Pack 150 series of connectors.

Hermes Close | Tachbrook Park | Warwick | CV34 6UF | United Kingdom
 Tel: +44 (0)1926 466700 | Fax: +44 (0)1926 450473 | sales@fozmula.com

www.fozmula.com

E. & O. E. © Fozmula Limited. July 2012 Issue No. 3

Since the suitability of these products depends upon a wide range of factors not in our control, Fozmula Limited expects and understands that you will conduct the testing and evaluation necessary to determine that these products are suitable for your application. Whilst every effort is made to ensure the above details are correct at the time of printing, Fozmula Limited reserves the right to make material changes, and or technical changes without notification.