

TECHNICAL DATA

Side entry float switches

FOZMULA
INNOVATION IN SENSORS



The **Side Entry** series of single point float switches are manufactured in a range of materials to suit varied applications.

Most switches are mounted from the outside of the tank and can be rotated through 180° to give a choice of either open on rise or close on rise switching configuration. Optional changeover switching can be specified.

Some customisation can be offered, for example, should internal tank fittings impede the operation of the switch, or if a different connection method is required.

SPECIFICATION

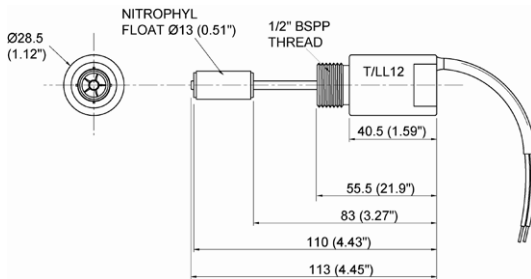
General:

Operating temp: -20°C to +80°C (-4°F to +175°F)



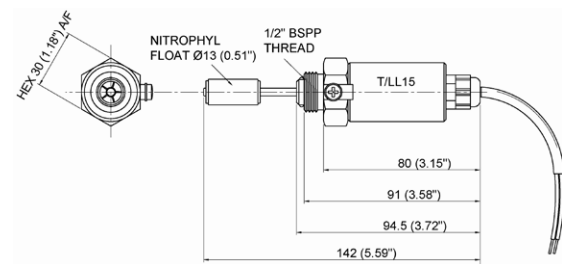
T/LL 12:

Body: Aluminium
Float: Buna-N
Thread: 1/2" BSP
Electrical specification:
Voltage: 240V
Current: 0.5A
Power: 10W
Connection: Flying leads or DIN connector



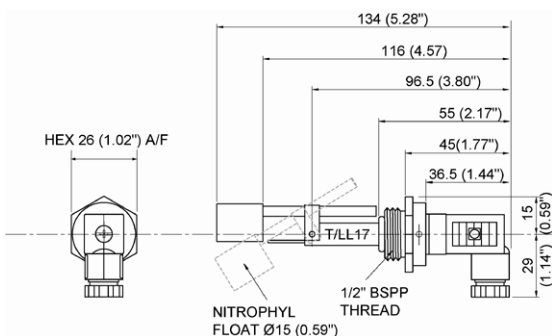
T/LL 15:

Body: 316 stainless steel
Float: Buna-N
Thread: 1/2" BSP
Electrical specification:
Voltage: 240V
Current: 0.5A
Power: 10W
Connection: Flying leads



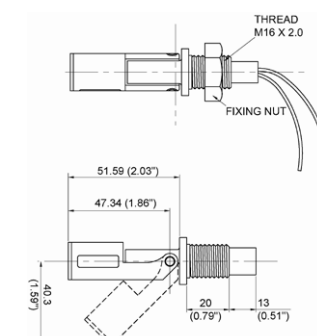
T/LL 17:

Body: Stainless steel
Float: Buna-N
Thread: 1/2" BSP
Electrical specification:
Voltage: 240V
Current: 0.5A
Power: 10W
Connection: Flying leads or DIN connector



T/LL 19:

Body: Polypropylene
Float: Polypropylene
Thread: M16 X 2.0
Electrical specification:
Voltage: 240V
Current: 0.5A
Power: 10W
Connection: Flying leads



Hermes Close | Tachbrook Park | Warwick | CV34 6UF | United Kingdom
 Tel: +44 (0)1926 466700 | Fax: +44 (0)1926 450473 | sales@fozmula.com

www.fozmula.com

E. & O. E. © Fozmula Limited. February 2010 Issue No. 3

Since the suitability of these products depends upon a wide range of factors not in our control, Fozmula Limited expects and understands that you will conduct the testing and evaluation necessary to determine that these products are suitable for your application. Whilst every effort is made to ensure the above details are correct at the time of printing, Fozmula Limited reserves the right to make material changes, and or technical changes without notification.