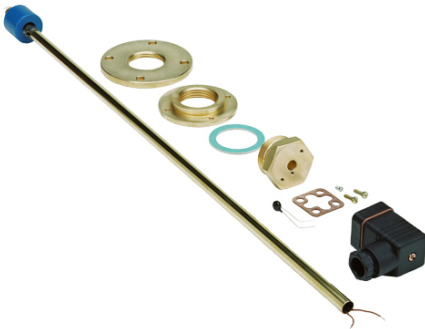


## TECHNICAL DATA

### T/LL122 series adjustable float switch

**FOZMULA**  
INNOVATION IN SENSORS



The **T/LL122 series** of user adjustable vertical float switches compliments the other ranges of float switches in the Fozmula range.

This float switch can be tailored by the user to suit a particular application, by adjusting the length of the float switch tube. It is also possible to select the switching sense by inverting the float, giving either open on rise or close on rise operation.

Mounting is via the 1" BSP header or, optionally, via a choice of two flanges. The unit is supplied part assembled, with detailed instructions for the user to complete assembly to the specifications of the application and to install the unit.

## SPECIFICATION

### Dimensions:

Available in three standard lengths of 500mm, 1M and 1.5M (20", 39" and 59").

### Fluid Types:

Fluids compatible with the construction materials

### Dimensions:

See below

### Electrical specification:

Supply voltage: 240VAC/300VDC max  
Switching current: 0.5A

### Environmental ratings:

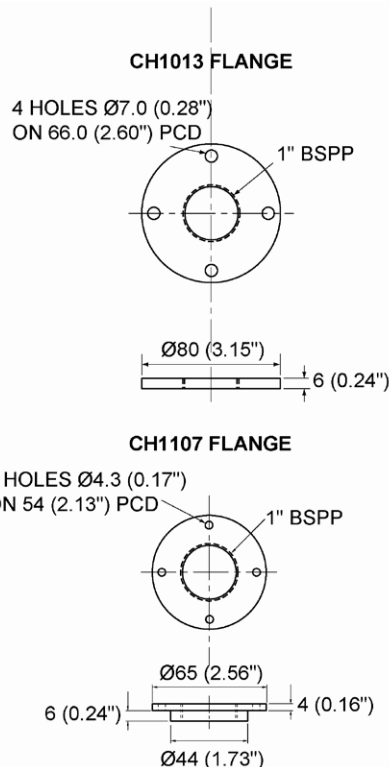
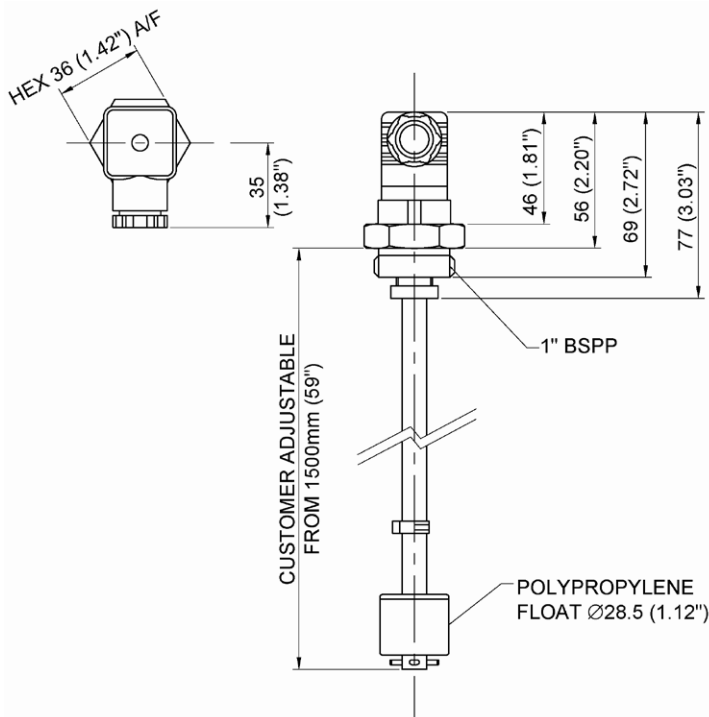
Temperature: - operating -20°C to +70°C (-4°F to +158°F)

### Construction:

Header & stem: Brass  
Float: Polypropylene  
Gasket: Klingsil Grade C4324

### Thermostat ratings:

Normal voltage: 250V  
Currents rating: 4A (10A max)



Hermes Close | Tachbrook Park | Warwick | CV34 6UF | United Kingdom  
Tel: +44 (0)1926 466700 | Fax: +44 (0)1926 450473 | sales@fozmula.com

[www.fozmula.com](http://www.fozmula.com)

E. & O. E. © Fozmula Limited. February 2010 Issue No. 3

Since the suitability of these products depends upon a wide range of factors not in our control, Fozmula Limited expects and understands that you will conduct the testing and evaluation necessary to determine that these products are suitable for your application. Whilst every effort is made to ensure the above details are correct at the time of printing, Fozmula Limited reserves the right to make material changes, and or technical changes without notification.