

## TECHNICAL DATA

### T/LL70 series vertical float switches

**FOZMULA**  
INNOVATION IN SENSORS



The **T/LL70** series is a comprehensive range of vertical float level switches designed around the proven and reliable magnet and reed switch principle.

Comprising many build variants, the **T/LL70** is customised to each application by means of materials, connection, header style, reed rating etc. Some examples are shown below:

## SPECIFICATION

### Electrical Rating

<b>Reeds:</b>	quantity	up to 12 switched levels
	switching	N/O, N/C, changeover or latched
	current	up to 3.0A
	<b>power</b>	up to 100vA
	voltage	up to 300VAC

### Fluid Types

Fluids compatible with the construction materials

### Environmental Ratings

**Temp. (operating):** -20°C to +70°C (-4°F to +158°F)

The T/LL70 has been vibration tested in accordance with BSEN 60068-2-64:1993

### Construction

<b>Header:</b>	Brass, PVC or 316 stainless steel
<b>Stem:</b>	Brass, PVC or 316 stainless steel
<b>Floats:</b>	Buna N, polypropylene or 316 stainless steel

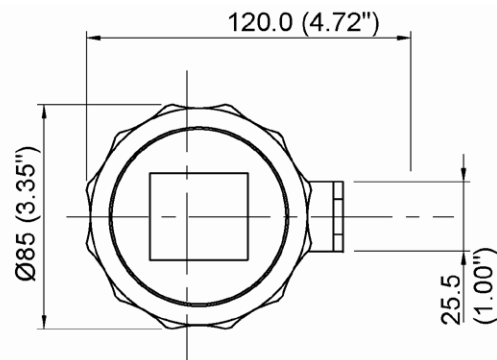
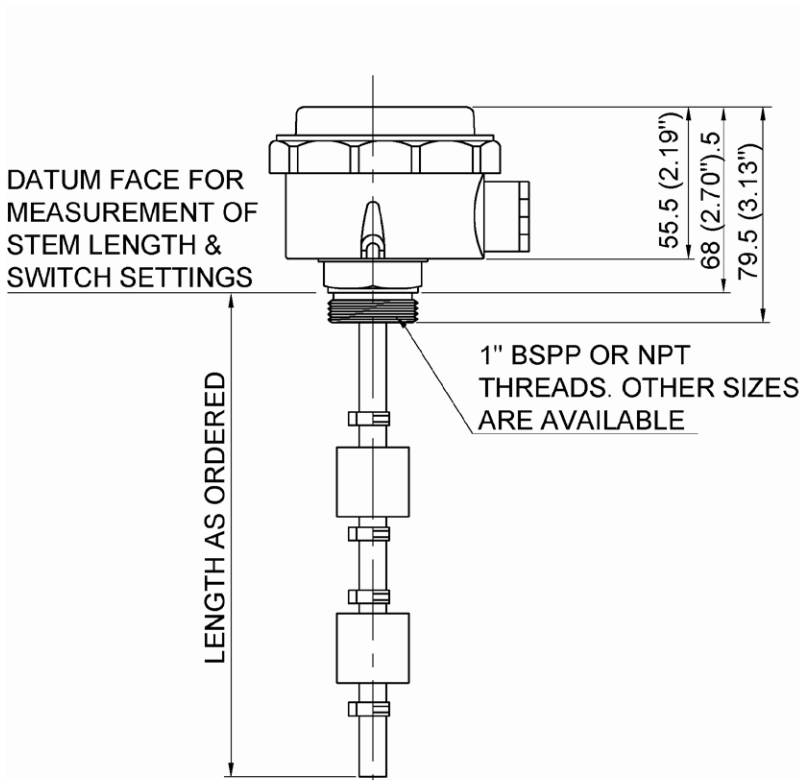


### Connections

IP67 terminal box, DIN connector, flying leads

### Fitting

<b>Standard:</b>	1/2"BSPP, 1"BSPP/NPT, 1" BSPT and 1.1/2"BSPP
<b>Optional:</b>	Other fittings are available on request



Stem material	Max length
Brass	2.25M (88")
PVC	1.5M (59")
316 stainless steel	3.0M (118")

Hermes Close | Tachbrook Park | Warwick | CV34 6UF | United Kingdom  
Tel: +44 (0)1926 466700 | Fax: +44 (0)1926 450473 | sales@fozmula.com

[www.fozmula.com](http://www.fozmula.com)

E. & O. E. © Fozmula Limited. February 2010 Issue No. 4

Since the suitability of these products depends upon a wide range of factors not in our control, Fozmula Limited expects and understands that you will conduct the testing and evaluation necessary to determine that these products are suitable for your application. Whilst every effort is made to ensure the above details are correct at the time of printing, Fozmula Limited reserves the right to make material changes, and or technical changes without notification.